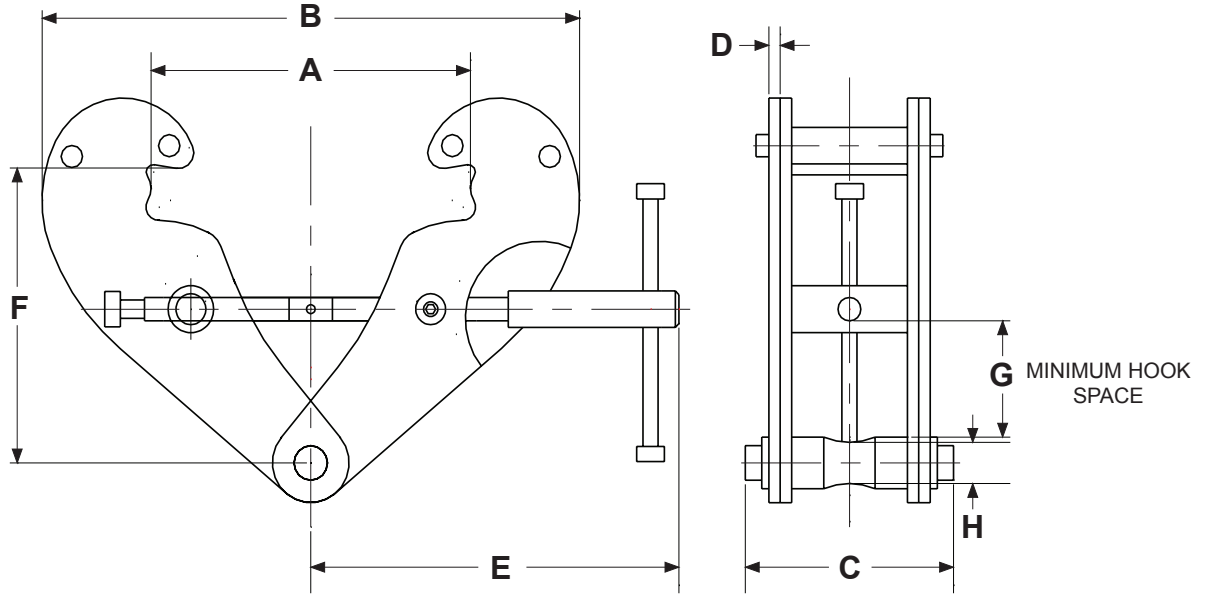


# BEAM CLAMP WITH PIN

## DATA SHEET



MODEL NUMBERS		BC100P	BC200P	BC300P	BC500P	BC1000P	
CAPACITY (POUNDS)		2,200	4,400	6,600	11,000	22,000	
TEST LOAD (POUNDS)		3,300	6,600	9,900	16,500	33,000	
I-BEAM WIDTH RANGE (POUNDS)		3.1-9.7	3.1-9.7	3.5-13.0	3.5-13.0	3.5-13.8	
NET WEIGHT (POUNDS)		8	10	21	24	35	
DIMENSIONS (INCHES)	A	10.6	10.6	14.0	14.0	14.3	
	B	MIN.	7.2	7.2	9.6	9.6	10.6
		MAX.	14.6	14.6	19.7	19.7	20.5
	C	3.7	4.0	5.2	5.6	7.1	
	D	0.16	0.24	0.31	0.39	0.47	
	E	7.8	7.8	10.4	10.4	11.2	
	F	MIN.	3.9	3.9	5.8	5.8	6.5
		MAX.	6.1	6.1	8.6	8.6	9.4
	G	1.0	1.0	2.0	1.9	2.0	
	H	0.8	0.8	0.9	1.1	1.5	